



(12) **United States Patent**  
**Carpenter et al.**

(10) **Patent No.:** **US 10,408,493 B1**  
(45) **Date of Patent:** **Sep. 10, 2019**

(54) **MOUNTING PAD AND METHOD FOR  
DETERRING THEFT AND SECURING  
OUTDOOR EQUIPMENT AND APPLIANCES  
AGAINST HIGH WINDS**

(71) Applicant: **Mainstream Engineering  
Corporation, Rockledge, FL (US)**

(72) Inventors: **Andrew L. Carpenter, Rockledge, FL  
(US); Robert P. Scaringe, Rockledge,  
FL (US)**

(73) Assignee: **Mainstream Engineering  
Corporation, Rockledge, FL (US)**

(\* ) Notice: Subject to any disclaimer, the term of this  
patent is extended or adjusted under 35  
U.S.C. 154(b) by 0 days.

(21) Appl. No.: **15/875,359**

(22) Filed: **Jan. 19, 2018**

(51) **Int. Cl.**  
**F24F 13/32** (2006.01)  
**F16M 9/00** (2006.01)  
**C04B 26/06** (2006.01)  
**C04B 26/18** (2006.01)  
**C04B 26/28** (2006.01)  
**C04B 26/04** (2006.01)  
**C04B 26/10** (2006.01)  
**C04B 26/20** (2006.01)

(52) **U.S. Cl.**  
CPC ..... **F24F 13/32** (2013.01); **C04B 26/045**  
(2013.01); **C04B 26/06** (2013.01); **C04B 26/10**  
(2013.01); **C04B 26/18** (2013.01); **C04B 26/20**  
(2013.01); **C04B 26/285** (2013.01); **F16M**  
**9/00** (2013.01); **F16M 2200/08** (2013.01)

(58) **Field of Classification Search**  
USPC ..... 248/545, 678, 679, 156, 346.01, 346.2,  
248/346.03, 346.06, 346.5, 499, 507, 508;  
220/475, 630, 636, 601

See application file for complete search history.

(56) **References Cited**

**U.S. PATENT DOCUMENTS**

3,493,201 A \* 2/1970 Marran ..... F16M 7/00  
248/346.03  
3,713,620 A \* 1/1973 Tkach ..... F16M 7/00  
188/268  
3,722,845 A \* 3/1973 Unger ..... F24F 1/0003  
248/346.03

(Continued)

*Primary Examiner* — Terrell L McKinnon

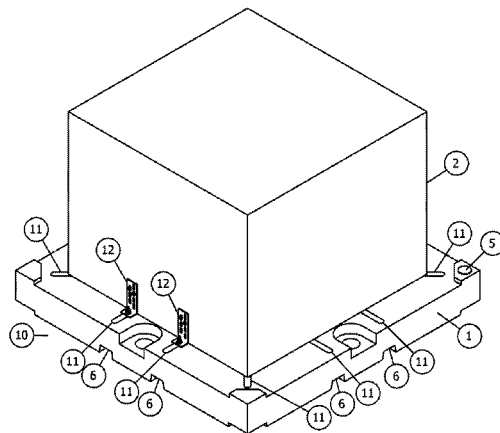
*Assistant Examiner* — Michael McDuffie

(74) *Attorney, Agent, or Firm* — Michael W. O'Neill,  
Esq.

(57) **ABSTRACT**

A mounting pad system for securing equipment, such as an HVAC outdoor unit, is provided in the form of a lightweight fillable pad member having securing slots extending from an underside surface to an upperside surface of the pad member. Securing strap assemblies are associated with at least some of the securing slots and are insertable into the latter to secure the equipment therebetween. The pad member contains a filling port on its upper surface and is configured as a molded hollow shell containing a gelling material which, when mixed with water, provides support to reduce deflection of the pad member caused by the equipment secured to the pad, prevents damage to the pad that would otherwise be caused by the expansion of internal contents upon freezing and prevents leakage of internal contents of the fillable pad in the event of an unintended breach in the hollow shell. The pad member is provided with at least one through-hole for allowing a securing anchor to be inserted therethrough into the ground at the installation site without disturbing sealing integrity of the hollow shell.

**14 Claims, 9 Drawing Sheets**



(56)

**References Cited**

U.S. PATENT DOCUMENTS

3,841,032	A *	10/1974	Grannis, III	.....	E02D 5/80 174/38
6,155,527	A *	12/2000	Muyskens	.....	B65D 19/0002 108/51.3
6,651,454	B1 *	11/2003	Spiegel	.....	F24F 13/32 62/259.1
6,655,648	B2 *	12/2003	Harris	.....	E02D 27/14 220/475
6,840,487	B2 *	1/2005	Carnevali	.....	A47B 23/002 248/346.06
7,185,871	B2 *	3/2007	Orozco	.....	E02D 5/80 248/499
7,334,421	B1 *	2/2008	Cantolino	.....	F24F 13/32 248/678
7,988,106	B2 *	8/2011	Carnevali	.....	B60R 11/00 248/146
8,074,952	B2 *	12/2011	Baechle	.....	D06F 39/001 108/51.3
8,640,632	B1 *	2/2014	Odle	.....	F24F 13/32 108/55.5
8,959,822	B2 *	2/2015	Kleppe	.....	F16M 11/28 248/346.03
9,151,315	B2 *	10/2015	McPheeters	.....	F16B 37/14
2002/0083660	A1 *	7/2002	Oliver	.....	E02D 5/801 52/169.9
2007/0029006	A1 *	2/2007	Lampropoulos	.....	A61B 50/33 141/311 A
2010/0320360	A1 *	12/2010	McLeod	.....	F16M 5/00 248/678
2012/0106087	A1 *	5/2012	Feller	.....	H01L 23/13 361/717

\* cited by examiner

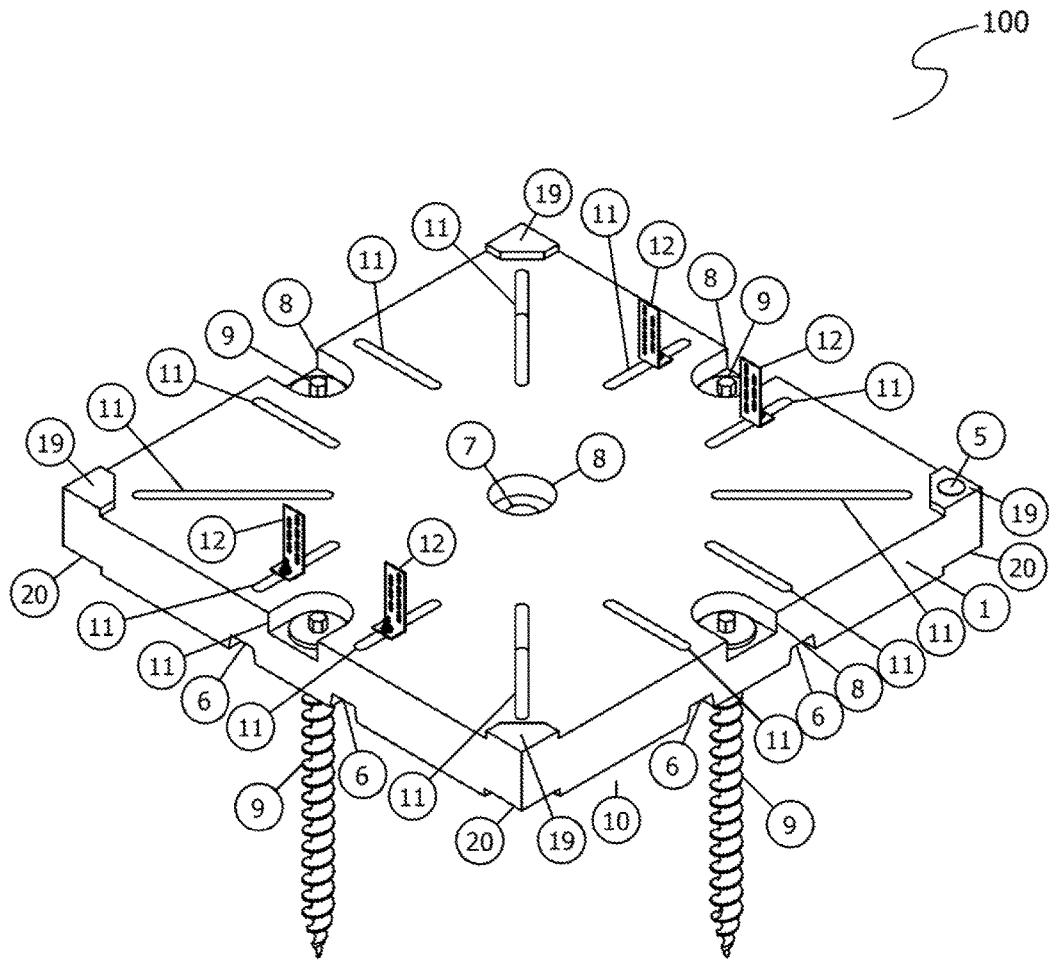


Fig. 1

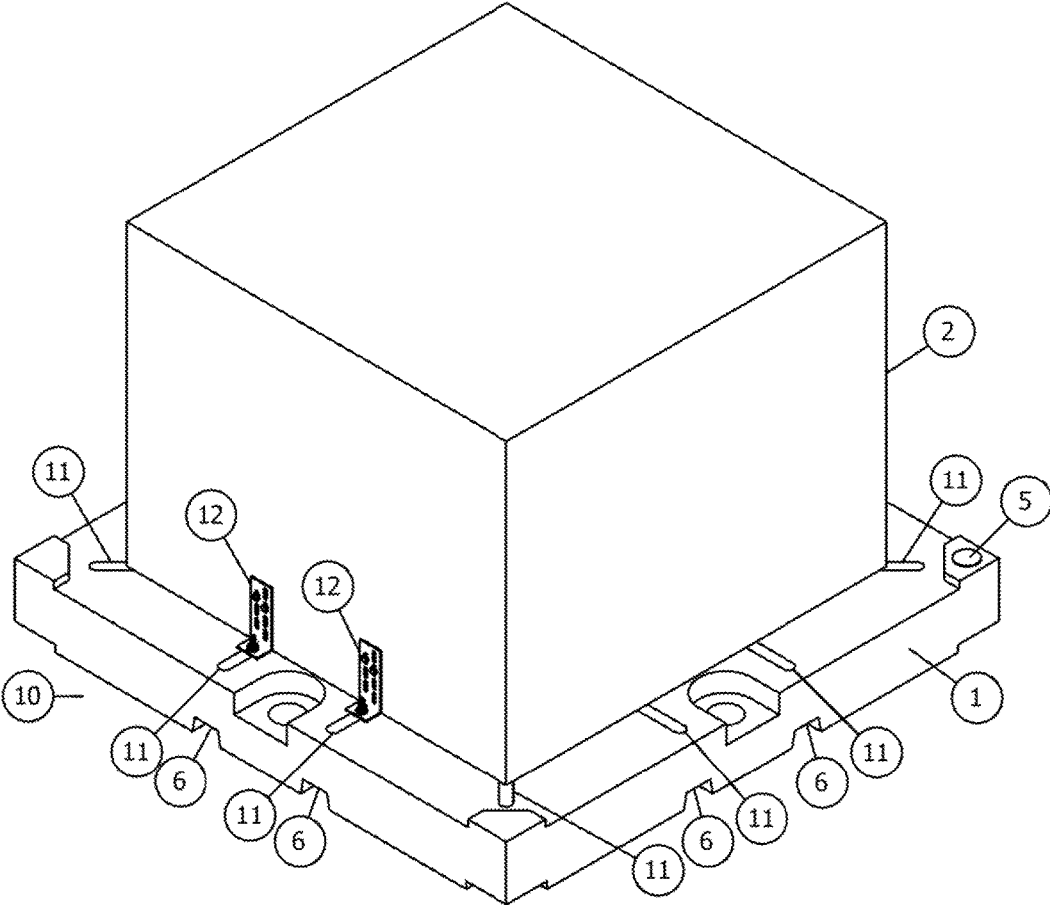


Fig. 2

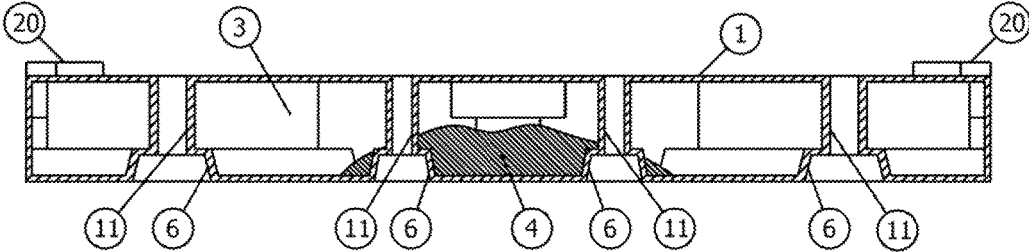


Fig. 3

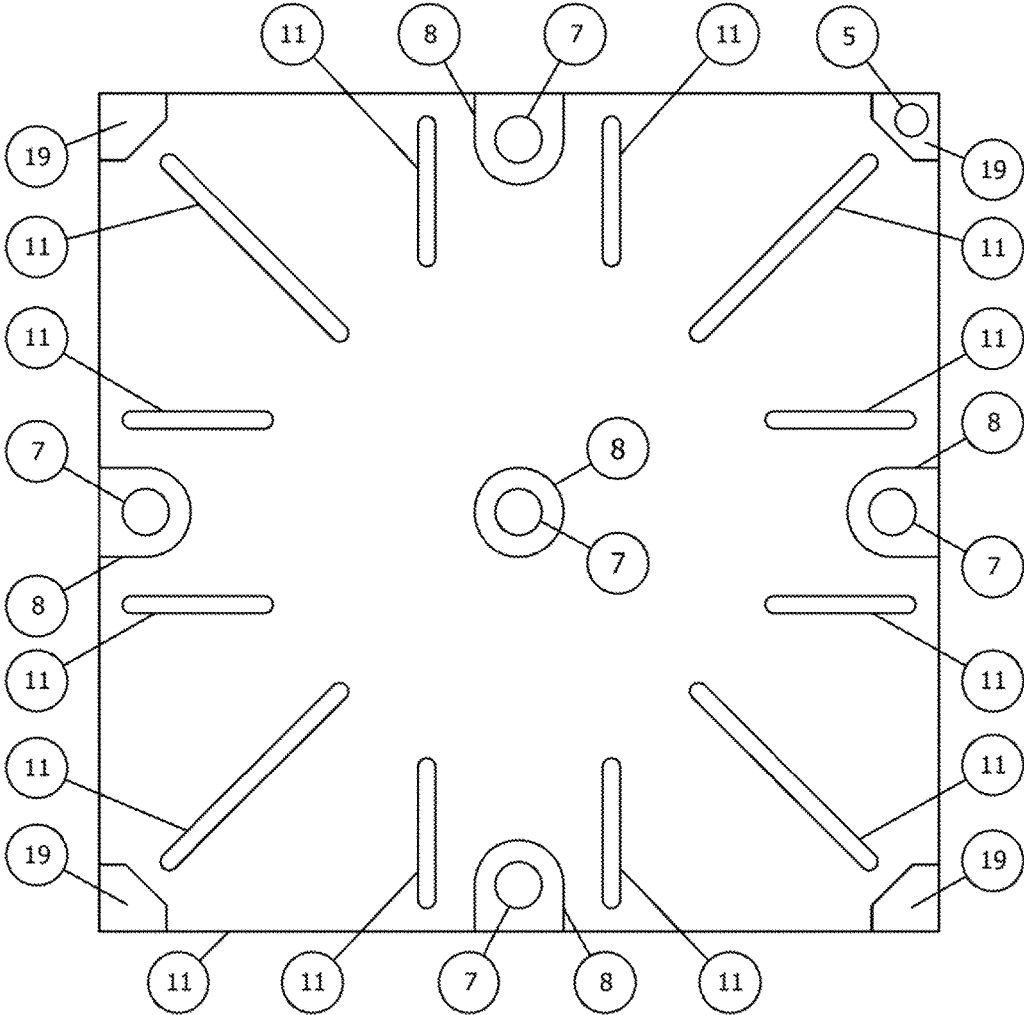


Fig. 4

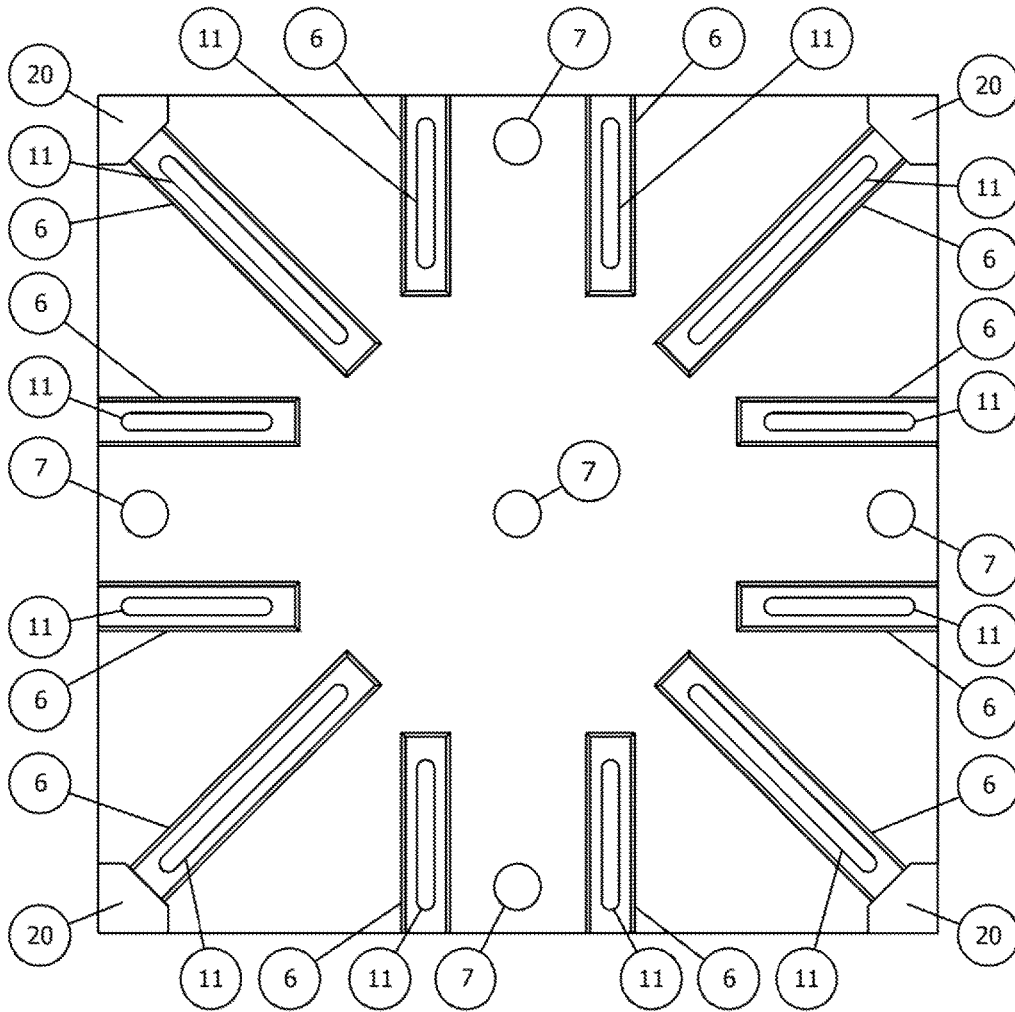


Fig. 5

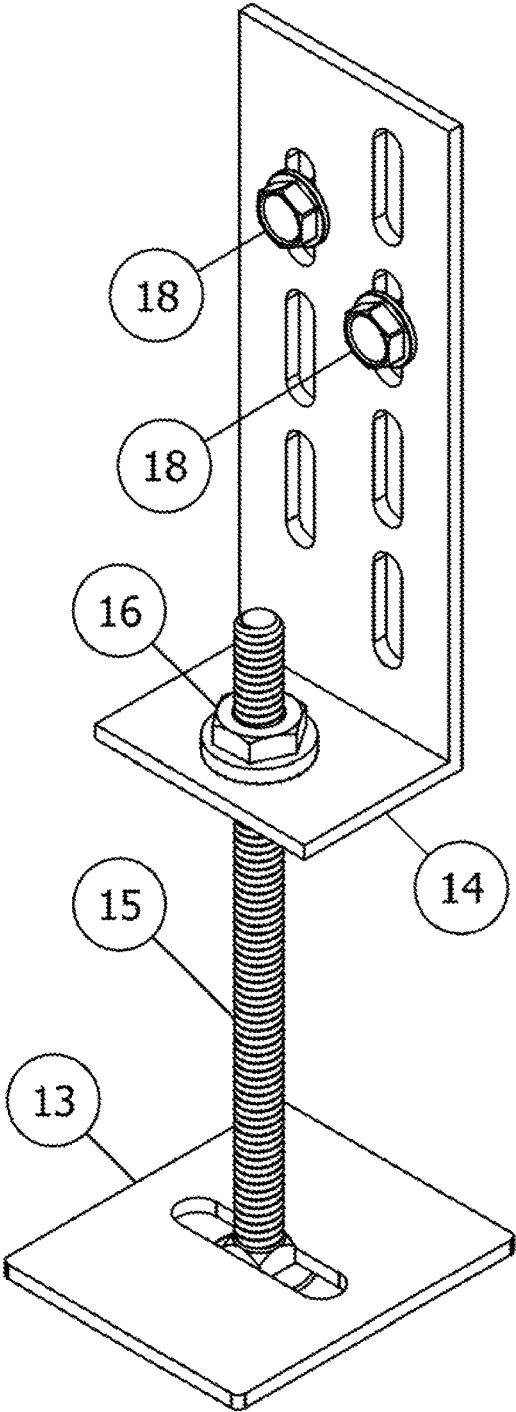


Fig. 6



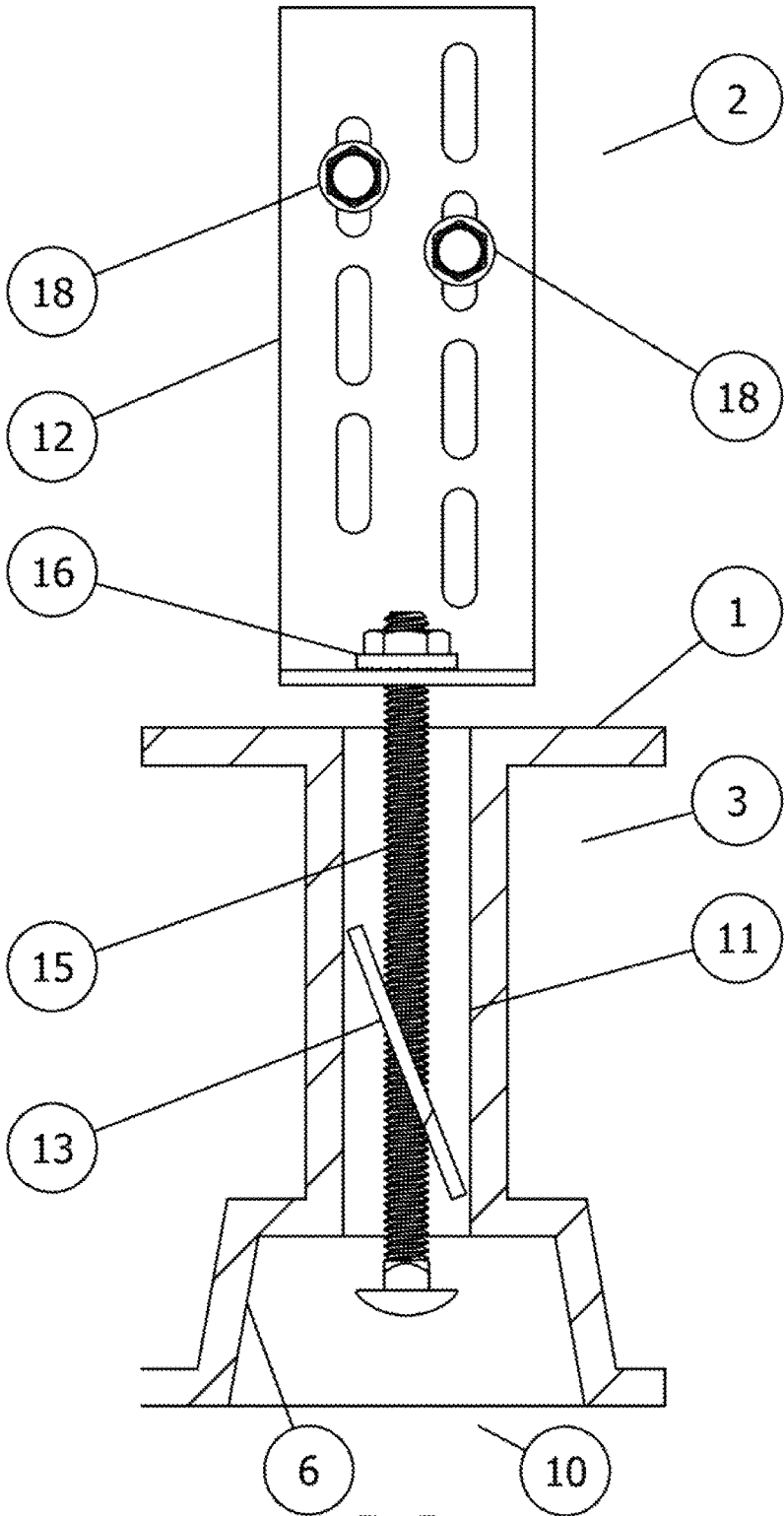


Fig. 7

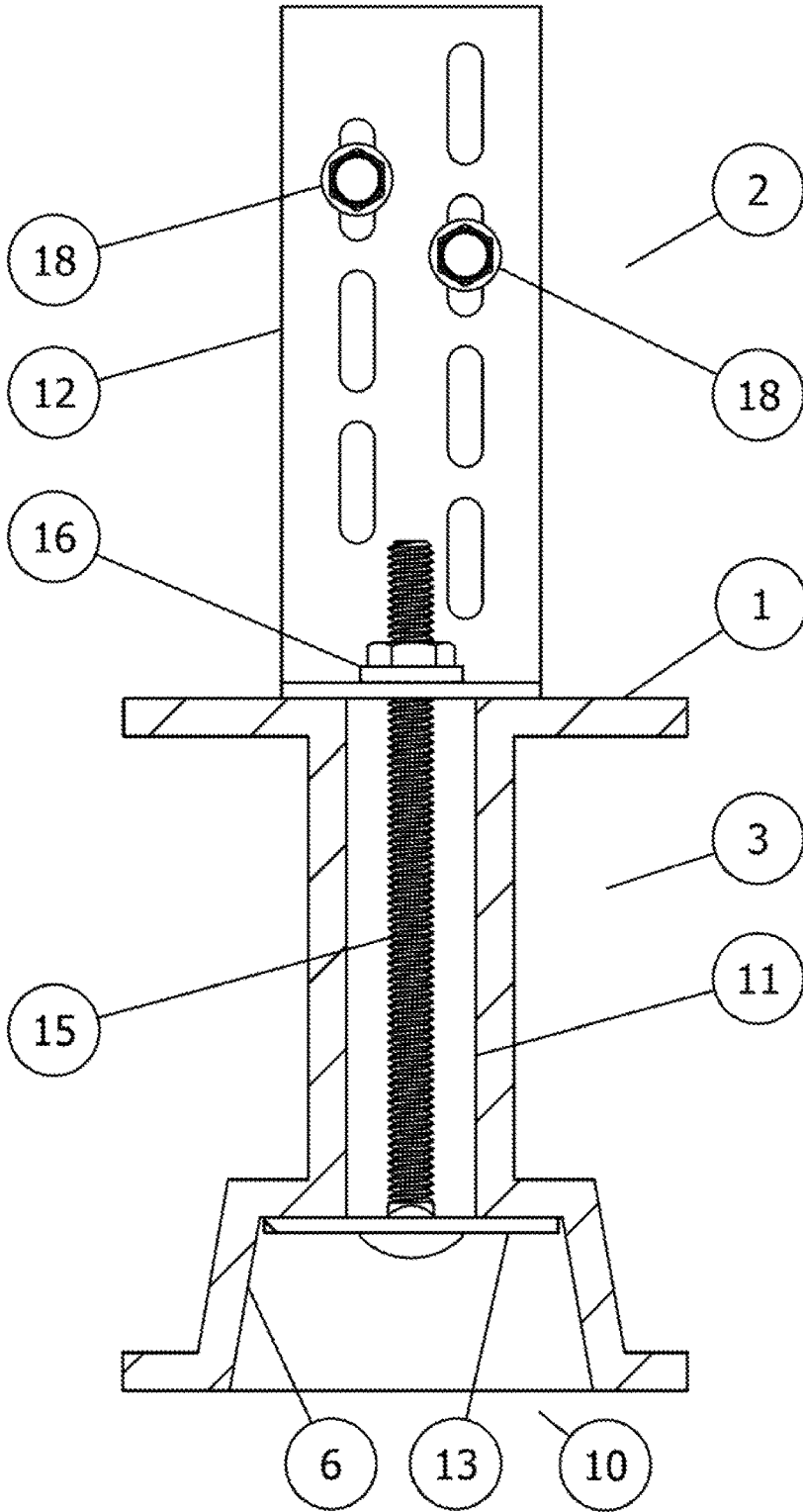


Fig. 8

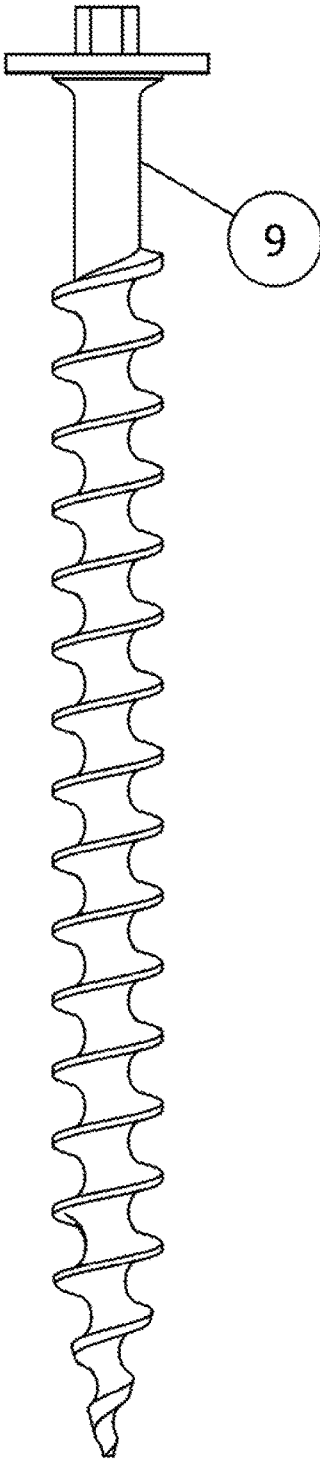


Fig. 9

**MOUNTING PAD AND METHOD FOR  
DETECTING THEFT AND SECURING  
OUTDOOR EQUIPMENT AND APPLIANCES  
AGAINST HIGH WINDS**

CROSS-REFERENCE TO RELATED  
APPLICATION

This application is related to co-pending application Ser. No. 15/685,283 filed Aug. 24, 2017, in the name of Elliot M. Sting and Robert P. Scaringe and entitled "Mounting Pad And Method for Detering Theft And Securing Air Conditioning Units Against High Winds", the subject matter of which is incorporated herein by reference.

BACKGROUND AND SUMMARY OF THE  
INVENTION

The present invention relates to a support pad for outdoor equipment and appliances and installation method that not only raises the unit to provide clearance from grade, as required by most building codes, but that also secures that unit to prevent movement and tipping associated with hurricane force winds.

Typically, an equipment pad, like those used for AC condensing units, is constructed of poured concrete formed in situ. This may be convenient when other concrete work is being performed on site, however, atypical installer would find mixing or purchasing concrete specifically for this small application to be impractical, time consuming, or expensive. A poured concrete pad also takes time to cure before heavy equipment can be placed on and fastened to it, further interrupting the installation process.

Prefabricated plastic and concrete pads are available as an alternative for transport and placement on site. Available plastic pads are typically lightweight and do not provide the required dead load to resist tipping due to high winds once equipment is mounted on the pad. Conventional hardware used to secure equipment to these relatively thin plastic pads may also be prone to pulling out of the plastic. Conversely, preformed solid concrete pads are heavy and difficult to handle. Other available pads are composed of a lightweight foam interior contained within a concrete shell, such as the "The Hurricane Pad™" manufactured by DiversiTech (Duluth, Ga.). As a result of their construction, these foam interior pads are prone to damage if dropped or mishandled. In many instances, foam-cored pads are too light to adequately secure an air conditioner in high winds.

A hurricane-wind rated equipment pad must be able to keep the equipment in place during high winds and also prevent the unit from toppling over or moving. The minimum necessary weight of the pad is dependent on the size and weight of the equipment and the wind speed. Hurricane-resistant equipment pads must survive wind speeds up to 180 mph, with the actual required wind speed dependent on the location.

As a demonstration, Table 1 below provides the minimum weight necessary for a 36 inchx36 inch pad to secure equipment of various sizes and weights. The wind load is calculated from the methods presented in American Society of Civil Engineers (ASCE) Standard 7-16. The equipment and pad are assumed to be a rigid structure resting on flat ground in a moderately open area. The dimensions and weights of the equipment listed in Table 1 are based on commercially available outdoor units used in split air conditioning (AC) systems and are representative of equipment that could be mounted to such pads. Modern, high-effi-

ciency, AC outdoor units have become much taller to allow greater heat exchanger area on the same footprint, which has exacerbated the wind-driven tipping issue. For example, in Table 1 the Required Pad Weight increases from 148 pounds for a 24x24x30-inch-high outdoor unit to 519 pounds for a 32x32x50-inch-high outdoor unit atop a 4 inch tall pad in a 150 mph wind zone. Building codes also require a minimum of a 2 inch border around the perimeter of any equipment, so that a 32 inch base is the largest unit size that can be placed on a 36 inch pad.

TABLE 1

Required equipment pad weight to resist tipping.						
Unit Dimensions				Required Pad Weight		
Width (in)	Length (in)	Height (in)	Weight (lb)	150 mph Wind (lb)	180 mph Wind (lb)	
24	24	30	100	148	257	
24	24	35	120	206	349	
26	26	30	120	149	266	
26	26	35	140	213	368	
28	28	30	140	149	276	
28	28	35	160	219	386	
28	28	40	190	292	505	
30	30	30	160	149	285	
30	30	35	190	216	395	
30	30	40	220	297	524	
30	30	45	240	400	682	
32	32	35	220	213	403	
32	32	40	250	301	543	
32	32	45	280	403	703	
32	32	50	310	519	883	

Table 1 makes clear that a concrete pad would need to be quite heavy to prevent tipping due to the moment caused by wind, making it very difficult to carry one into place at the installation site.

One known approach proposed the use of a hollow pad with a hollow interior chamber filled with sand, other granular materials, or water so as to achieve the necessary weight required to prevent the pad from tipping in hurricane-strength winds. With water, the pad was not intended to be completely filled so that in colder climates, the expansion of water as it freezes would not deform or damage the pad. Even if such a pad were completely filled with water and the height was increased to 6 inches, for certain tall outdoor equipment, the water alone would not provide sufficient weight to keep the pad in place in the highest possible wind zones, such as the 180 mph region of south Florida. The weight of the pad can be further increased with use of higher density fill materials such as sand, which is known in the art. At least one central support has also been proposed to prevent sagging, but that would limit the ability of a granular material, like sand, to completely fill the hollow core, reducing the fill volume and therefore the weight of the filled pad. If the central support is large, it can significantly reduce the volume of fill material available for weighing the pad down.

One object of our invention is to provide an easily-transportable, lightweight, rugged, and low-cost equipment mounting pad and installation method that, once located and leveled on site, can be secured to prevent theft and tipping, even in high wind loads. Our novel equipment pad can be configured as a hollow plastic shell that can be rotationally molded to reduce cost and minimize weight. If the pad is formed by conventional rotational molding, the molded pad will typically be formed from one of a variety of thermoformed plastics. The currently preferred embodiment uses a

linear low-density polyethylene (LIDPE) to form a rigid structure with uniform wall thickness. However, any thermoform-capable material such as low-density polyethylene (LDPE), medium density polyethylene (MDPE), high density polyethylene (HDPE), cross linked polyethylene (XLPE), nylon, polypropylene, and polyvinyl chloride (PVC) are acceptable alternatives. While the currently preferred material wall thickness for the pad is 0.2 inches throughout the pad, alternative embodiments can use material thicknesses from 0.1 inches to 0.75 inches with, if desired to reduce costs, non-uniform wall thickness by using well known shielding on the rotational mold to adjust cooling times and thereby obtain non-uniform wall thicknesses. For example, the side-walls could be 0.1 inches, the top load bearing surface 0.5 inches and the bottom ground facing surface 0.2 inches. As pointed out herein, the adjustable securing slots in the pad provide support from deflection and can allow the load bearing surfaces to be thinner as well.

The empty shell, which contains a gelling formulation of known composition according to our invention, can be filled with water and sealed once at the installation site. The gel/solidus formed inside the pad will be used to prevent weight loss, even if the leak-tight seal is compromised. Additionally, if a super absorbent polymer (SAP), including but not limited to sodium polyacrylate, sodium polycarbonate, polyacrylamide copolymers, ethylene maleic anhydride, carboxymethylcellulose, polyvinyl alcohol copolymers, or polyethylene oxide, is used in the gelling compound formulation, then the resulting mixture will not expand upon freezing, thereby allowing the pad to be completely filled with water, avoiding the need for an expansion void space. Filling the interior volume completely also allows the gelled mixture to provide support to the pad, serving to prevent deformation and remove the need for any dedicated internal support structure.

In the event the filled equipment pad, according to our invention, did to provide sufficient weight to prevent tipping in the highest wind conditions, anchors can be screwed into the ground to add additional tipping resistance.

Our novel equipment mounting pad will be secured to the outdoor unit through easily adjustable securing straps that are installed into specially designed slots through the top of the pad. The securing straps are adjustable within the slots, able to rotate and slide inwards and outwards, to accommodate various sizes and shapes of equipment. These straps are cinched down to the pad and fastened to the unit to firmly secure the unit to the pad, preventing rocking, excessive vibration, and tipping. Additionally, extra slots and slots at various slot angles can be made available for use without departing from the scope of our invention. These slots also provide structural strength to the pad.

The equipment pad of our invention also contains a structure for anchoring the pad to the underlying support, whether soil, concrete, or other. Mount holes positioned near the perimeter of pad allow for the use of ground anchors or concrete fasteners and are positioned such that they can be installed with the unit in place. As stated earlier, anchoring the pad provides additional wind resistance, when needed, by holding the pad to the ground further preventing tipping or sliding of the unit and pad assembly.

The equipment pad of our invention contains a means for stacking multiple pads on top of one another and keeping them from sliding or shifting during storage and transportation. A protrusion on each corner of the equipment pad mates with a corresponding recess in the bottom of a pad placed on top of the former.

Equipment theft will be deterred due to the combined weight of the pad and the equipment, and if used, the lifting strength of the anchors installed into the underlying support. Moreover, our invention contemplates that the equipment can be connected to the pad with known types of anti-theft fasteners, such as one-way machine or sheet metal screws or those with unique heads that can only be removed with special tools. An anti-theft cable can also be installed. Similar to the securing straps, the anti-theft cable can connect to the pad using one of the unused slots.

#### BRIEF DESCRIPTION OF THE DRAWINGS

These and further features, objects, and advantages of the present invention will become more readily apparent from the following detailed description when taken in conjunction with the accompanying drawings wherein:

FIG. 1 is an isometric view of a currently preferred embodiment of the equipment support pad and securing system according to the present invention.

FIG. 2 is an isometric view of the equipment pad shown in FIG. 1, with a generalized equipment model secured to the pad.

FIG. 3 is a side sectional view of the currently preferred embodiment of the equipment pad shown in FIG. 1.

FIG. 4 is a top view of the equipment pad shown in FIG. 1.

FIG. 5 is a bottom view of the equipment pad shown in FIG. 1.

FIG. 6 is an isometric view of a currently preferred embodiment of the securing strap assembly.

FIG. 7 is a side sectional view of the securing strap assembly as it is being inserted into a slot of the equipment pad.

FIG. 8 is a side sectional view of the securing strap assembly installed into and cinched down to the equipment pad.

FIG. 9 is a side view of one contemplated ground anchor for the equipment pad of FIG. 1.

#### DETAILED DESCRIPTION OF THE DRAWINGS

Referring now to FIG. 1, an equipment securing system **100**, is shown where a hollow equipment pad **1** of approximately square or rectangular configuration (and which can have rounded corners rather than the illustrated right angle corners) has twelve securing slots **11** that can accommodate a desired number of securing strap assemblies **12**. In a currently preferred embodiment, the strap assemblies **12** can be slid inwardly and outwardly, and can also be rotated tangentially to the equipment **2** (FIG. 2) and thereby conform to a wide variety of outdoor equipment types, sizes, and shapes. The slots may have a recess **6** (FIG. 5) to allow an associated retaining washer **13** of the securing strap assembly **12** (FIG. 6) to slide inwardly or outwardly without being restrained by the ground **10** the pad has been placed against. Protrusions **19** on the top side of the pad **1** and corresponding recesses **20** on the bottom of the pad **1** facilitate keeping pads in place when stacked for storage and transportation.

The currently preferred embodiment can also contain one or more optional securing anchors **9** (four are shown in FIG. 1) that are secured into the ground through by-pass holes **7** having recesses **8** at the pad's upper surface so that the anchors **9**, one embodiment of which is shown in FIG. 8, can be screwed into the ground after the pad has been located and leveled. The adjustable strap slots **11** will also serve as

5

central supporting structures eliminating the need for additional dedicated additional supporting structures which would increase cost and reduce fill volume. Once the pad 1 is filled completely with water (i.e., filled before the equipment 2 is located on the pad), the pad will also be supported by the interior fill volume, again eliminating the need for dedicated internal support structures. The filling port 5 for the pad 1 is located outside the footprint of the equipment 2 (FIG. 2) which in the currently preferred embodiment is located near a corner of the pad 1.

FIG. 2. is an isometric view of the equipment pad 1 of FIG. 1, with equipment 2 secured to the top of the pad 1 using the securing strap assemblies 12. The equipment 2 is sized so that there is at least 2 inches of the pad 1 around the exterior that is not covered, as may be required by building codes. As shown, the anchors 9 and fill port 5 shown in FIG. 1 are completely exposed after the unit 2 has been installed. This is done to allow these items to be installed and accessible later after the equipment has been installed, if, say, a building inspector should decide anchors are necessary or an installer initially forgot to fill the pad or install the necessary anchors.

FIG. 3 is a side sectional view of the equipment pad 1 and shows that the equipment pad has a hollow interior region 3 that will be filled with water and sealed when installed. The hollow region 3 will also contain a super absorbent polymer material 4 that will combine with the water and form a gel or solidus media filling the interior volume 3 to prevent leakage if the seal integrity is compromised. As noted already, additional dedicated support structures are not necessary to prevent sagging. It will be understood, of course, that the gelled completely filled interior volume and the slots 11 for the securing straps 12 both provide support to eliminate sagging.

FIG. 4 is a top view of the equipment pad 1 showing the holes 7 for the anchors 9, twelve slots 11 for the straps 12 that are used to secure the equipment 2 to the pad 1 and prevent any movement of the equipment on the pad. The holes 7 have a recess 8 so that the anchors 9, once installed, will be recessed into the surface of the pad allowing the equipment 2 to sit flat on the pad.

FIG. 5 is a bottom view of the equipment pad 1. The recesses 6 surrounding the base of the slots 11 provide space for the retaining washers 13 of the securing strap assemblies 12 or optional anti-theft cables to be adjusted, that is slid along the length of the slot, without resistance from the ground 10 which could potentially impede motion. In addition, when the rectangular washer and carriage bolt assembly are dropped into the slot 11, the recess allows room for the rectangular washer to reorient itself so that it becomes parallel and form-locked to the base of the slot, preventing its removal as the carriage bolt 15 is tightened. The slot 11 also prevents the rectangular washer 13 and carriage bolt 15 from rotating, allowing the nut 16 of the securing strap assembly 12 to be tightened, thereby securely cinching it to the equipment pad 1. As already stated, these slots 11 also act as support structures to prevent deflection of the pad due to the weight of the equipment 2, such as an outdoor AC condensing unit, that is secured to the equipment pad 1.

FIG. 6 shows a currently preferred embodiment of one of the adjustable securing strap assemblies 12. FIG. 7 is a sectioned view detailing its installation into the pad 1. In this configuration, a carriage bolt 15 will be inserted into a slotted retaining washer 13, the slot of which will allow the retaining washer 13 to be angled with respect to the carriage bolt 15. The retaining washer 13 slot geometry also prevents the square neck of the carriage bolt 15 from rotating upon

6

tightening. Additionally, the assembly is comprised of a securing bracket 14 and a nut 16. The retaining washer 13 of the securing strap 12 will be angled and inserted into the desired slot 11 from the top of the pad and slid inward towards the equipment 2 being secured until the bracket 14 meets the equipment 2. The retaining washer 13 will itself not rotate within the slot recess 6 once fully inserted. The single carriage bolt 15 used for cinching down the strap assembly 12 allows the securing bracket 14 to rotate allowing it to lay flat (be tangent) against the surface of the equipment 2 regardless of shape. FIG. 8 is a sectioned view detailing the final installment of the securing strap assembly 12. The securing bracket 14 will rest atop the equipment pad 1 and the nut 16 will be tightened to cinch the bracket 14 to the equipment pad 2. The securing bracket 14 will be secured to the equipment 2 using the appropriate quantity, size, and style of metal fasteners 18. Known types of anti-theft fasteners can also be used to secure the straps 12 to the equipment 2.

FIG. 9 is an embodiment of the securing anchor 9 shown in FIG. 1. This anchor is screwed into the ground to further secure the pad 1 to the underlying ground (10 in FIG. 1).

While we have shown and described our invention above, it should be understood that the same is susceptible to changes and modifications that will now be apparent to one skilled in the art. Therefore, we do not intend to be limited to the details shown and described herein but contemplate that all such changes and modifications will be covered to the extent encompassed by the appended claims.

We claim:

1. A mounting pad system for securing equipment, comprising a lightweight fillable hollow pad member having a plurality of securing locations extending from an underside surface to an upperside surface of the pad member, and a plurality of securing devices operatively associated with at least some of the securing locations to secure the equipment therebetween, wherein the pad member contains a gelling material partially filling the hollow pad member and selected to react with water to form a gel/water solidus filling substantially an entire interior volume of the pad member sufficient to prevent deformation of the pad member due to weight of the equipment.

2. The system of claim 1, wherein the equipment is an HVAC outdoor unit.

3. The system of claim 1, wherein the pad member contains a filling port on an upper surface thereof.

4. The system of claim 1, wherein the pad member is configured as a molded shell containing the gelling material.

5. The system of claim 1, wherein the pad member is provided with at least one through-hole for allowing a securing anchor to be inserted therethrough into the ground at the installation site, without disturbing sealing integrity of the hollow shell.

6. The system of claim 1, wherein the pad member is provided with at least one through-hole for allowing a securing fastener to be inserted therethrough into the structure below at the installation site, without disturbing the sealing integrity of the hollow shell.

7. The system of claim 6, wherein the at least one through-hole has a recessed portion to allow the associated securing anchor to be flush or below the upperside surface of the pad member.

8. A mounting pad system for securing equipment, comprising a lightweight tillable pad member having a plurality of securing slots extending from an underside surface to an upperside surface of the pad member, and a plurality of securing strap assemblies operatively associated with at least

some of the securing slots and configured to be insertable into the latter so as to secure the equipment therebetween, wherein the securing slots and associated securing strap assemblies are configured to allow movement of the latter relative to the equipment after being placed on the pad member, the securing slots are provided with a recessed portion at the underside surface of the pad member, the recessed portion being configured to allow securing hardware to be installed from the top of the pad, through the slots and the recessed portion, allowing the securing hardware to rotate and drop to a position approximately parallel to the underside of the pad, wherein the recessed portion also has a form-locking configuration to prevent the securing hardware from rotating when being tightened up against the bottom of the pad.

9. The system of claim 8, wherein the recessed portion at the underside surface of the pad member is configured to allow the securing hardware to slide in the slot without being restricted by a surface the pad is resting on.

10. The system of claim 1, wherein the securing slots constitute through-slots configured as load bearing supports

for the pad member that reduce deflection of the pad caused by the weight of the equipment placed thereon.

11. The system of claim 1, wherein the gelling material comprises a super absorbent polymer material.

12. The system of claim 11, wherein the super absorbent polymer material is selected from the group comprised of sodium polyacrylate, sodium polycarbonate, polyacrylamide copolymers, ethylene maleic anhydride, carboxymethylcellulose, polyvinyl alcohol copolymers, and polyethylene oxide.

13. The system of claim 8, wherein the pad member is provided with at least one through-hole for allowing a securing anchor to be inserted therethrough into the ground at the installation site, without disturbing sealing integrity of the hollow shell.

14. The system of claim 8, wherein the pad member is provided with at least one through-hole for allowing a securing fastener to be inserted therethrough into the structure below at the installation site, without disturbing the sealing integrity of the hollow shell.

\* \* \* \* \*